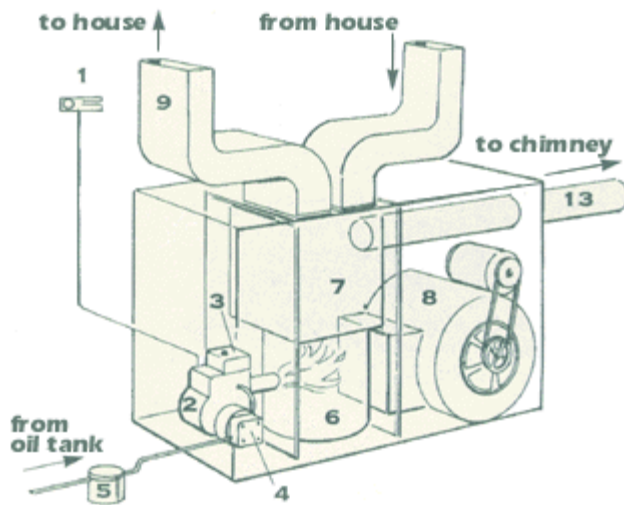


## How Does Your Oil Burner Work?

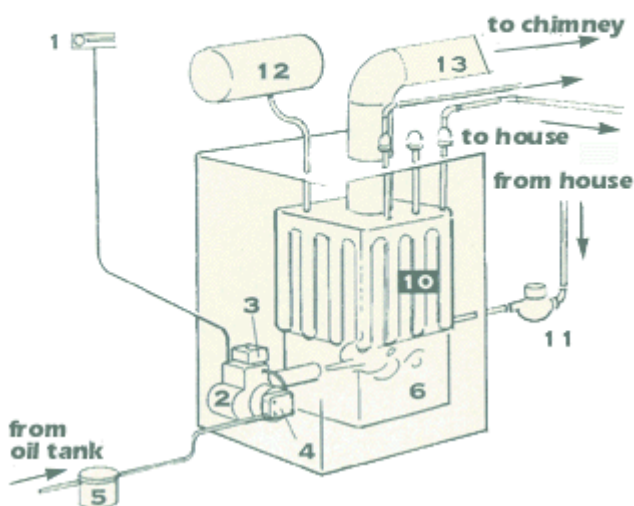
In every heating system, your thermostat (1) has a sensor which measures the room temperature. When the temperature drops below your thermostat setting (or you raise the level about the room temperature), it sends a signal to the controls (2) on your burner (3) to get into action. A fuel pump (4) draws oil through a filter (5) to your burner. It turns this oil into a fine spray, mixes with the air, and ignites in the combustion chamber (6) causing the chamber to get very hot.

### Hot Air System



In a hot Air System air absorbs heat in your furnace's heat exchanger (7). A blower (8) sends this air through ducts (9) to heat your home.

### Hot Water (Hydronic) System



If you have a Hot Water (Hydronic) system, water circulates around your boiler's combustion chamber (10). A circulator (11) pumps the hot water through radiators or baseboards. An expansion tank (12) adjusts to varying pressures. In all systems, the combustion emissions go up the flue (13), never mixing with either the air or water going through your house.